



OPTICAL SIGHT

P02,5x18

SERVICE MANUAL

INTRODUCTION

Service manual describes operation, technical characteristics, performance features and main rules of correct exploitation and using of the sights' technical capabilities.

Service manual describes operation, technical characteristics, performance features and main rules of correct exploitation and using of the sights' technical capabilities.

Because of continuous modernization of Sights, their design may have some changes, not indicated in the given manual.



OPTICAL SIGHT P02,5x18

CONTENTS

1. PURPOSE	4
2. SPECIFICATIONS	5
3. DELIVERY LIST	6
4. PREPARATION FOR USE	7
5. OPERATION	11
6. MAINTENANCE AND STORAGE	13
7. SAFETY	13
8. ACCEPTANCE CERTIFICATE	14

1 PURPOSE

PO2,5x18, PO2,5x18-01, PO2,5x18-1, PO2,5x18-1-01 sights (hereinafter referred to as the sights) are intended for mounting on hunting weapon. PO2,5x18. PO2,5x18-01 sights is mounted on the "Tiger" type rifle, PO2,5x18-1. PO2,5x18-1-01 sights is mounted on the "Saiga", "Vepr" type rifle.

Reticle illumination allows aiming at twilight.

The sights have two handwheels with scales for application of elevation and windage corrections when zeroing in the weapon and firing.

The sights are designed for operating within ambient temperature range from $-40\text{ }^{\circ}\text{C}$ to $+40\text{ }^{\circ}\text{C}$ and relative humidity up to 95% at temperature $+25\text{ }^{\circ}\text{C}$.

2 SPECIFICATIONS

Table 1

Parameter	Value
Magnification, x	2.5
Field of view	11°
Resolution limit	15"
Exit pupil, mm	7.2
Eye relief, mm	65
Diopter adjustment, D	from -0.5 to -1
Overall dimensions, mm	
PO2,5x18	337x140x75
PO2,5x18-1	337x145x75
Weight, kg, max	
PO2,5x18	0.8
PO2,5x18-1	0.85

3 DELIVERY LIST

Table 2

Description	Quantity	Notes
Sight	1	
Spanner	1	
Eyeshield	1	removed from the Sight
Cover	1	
Napkin	1	
Box	1	
Service manual	1	

4 PREPARATION FOR USE

Mount the sight on the weapon and make an adjustment before use.

Put an eyeshield before mounting on the weapon.

Mount the sight on the weapon with a special bracket. When mounting the sight on the weapon turn the latch 5 (Figure 1) aside up to the stop, align the mounting seat of the sight with the dovetail mounting rail of rifle, push the sight up to the stop and secure it by turning the latch 5 forward – for the sights PO2,5x18. PO2,5x18-01; backward – for the sight PO2,5x18-1, PO2,5x18-1-01 up to the complete fixation of the lug on the sight's bracket.

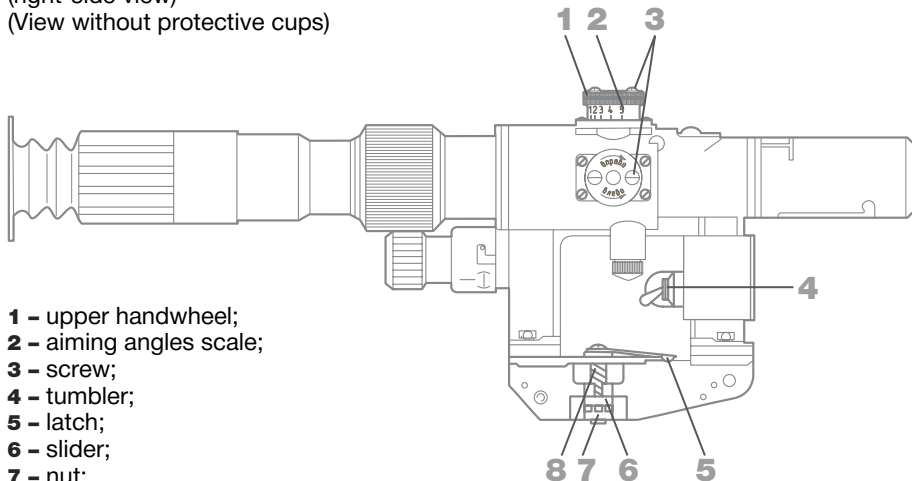
The sight must be fastened securely. If the sight sways or the latch 5 does not shut when the sight is fastened, adjust the clamp in the following way:

- take off the sight from a weapon;
- push the slider 6 in the bottom part of the sight's bracket until pressing of the spring 8;
- turn the nut 7 by 1-2 teeth counter-clockwise or clockwise;
- ensure firm fastening of the sight on a weapon and repeat the adjustment if necessary.

Figure 1 - PO2,5x18 Sight

(right-side view)

(View without protective cups)

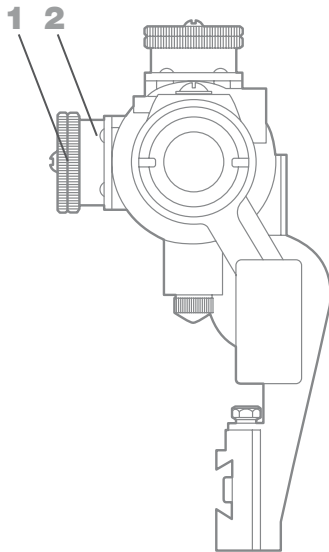


- 1 - upper handwheel;
- 2 - aiming angles scale;
- 3 - screw;
- 4 - tumbler;
- 5 - latch;
- 6 - slider;
- 7 - nut;
- 8 - spring

The sight is adjusted on the weapon after zeroing in with iron sight (front sight and sight). Adjust it as follows:

- mount the sight on the weapon;
- set the upper handwheel 1 on the point “1”, the side handwheel 1 (Figure 2) – on the point “0”;
- take off protective cups from scales;
- aim the rifle with the iron sight set on the point “1” at the 100m distant target;
- look through the sight’s eyepiece, notice the aiming mark position;
- if the aiming mark coincides with the aiming point of the iron sight, the sight is considered adjusted;
- otherwise, turn screws 3 (Figure 1) by 1–2 turns on the upper and side handwheels according to Figures 1, 2, then by turning these handwheels (scale 2 (Figure 1) and scale 2 (Figure 2) are in the initial position) coincide the aiming mark with the aiming point of the iron sight;
- screw down the screws 3 (Figure 1) of handwheels up to the stop and check the coincidence of aiming mark with aiming point of the iron sight one more time. Repeat the adjustment if necessary;
- mount protective cups on scales when the adjustment is finished.

Figure 2 - PO2,5x18 Sight
(front view)
(View without protective cups)



- 1** - side handwheel;
- 2** - windage adjustment scale

5 OPERATION

The upper handwheel setting must be determined experimentally, depending on the firing distance and type of the weapon.

Turning of the upper handwheel by 1 click shifts point of impact up (down) by 5.5 cm/100 m.

Turning of the side handwheel by 1 click shifts point of impact to the right (left) by 5.5 cm/100 m.

The sight can be produced with one of two reticles according to figures 3, 4.

The sights marked with 01 index have reticle with rangefinding scale by the height of a target (Figure 4).

The distance to the target can be determined by using of range-finding scale of the sight's reticle according to Figure 4.

To determine the distance according to range-finding scale of the sight's reticle by the height of a target of 1.5 m, aim the scale at the target so that the target is placed between the continuous horizontal and dotted inclined lines. Scale stroke above the target indicates the distance to the target.

The sights are equipped with the reticle illumination for aiming in the twilight or in the night-time, illumination switches with the tumbler 4 (Figure 1). Any battery of AA type and 1.5 V voltage may be used as a power source for the illumination. When the illumination is on, reticle's strokes are of red colour.

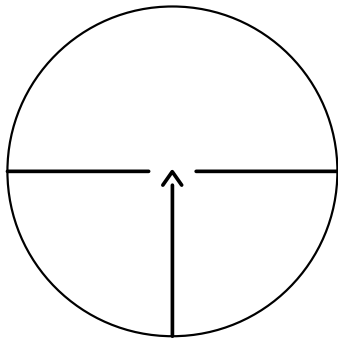


Figure 3 - Field of view

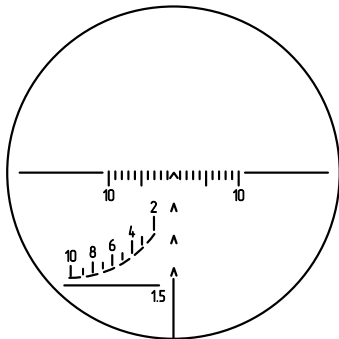


Figure 4 - Field of view

6 MAINTENANCE AND STORAGE

Avoid mechanical damages.

Clean outer optical surfaces with clean soft napkin, remove fat stains and dust with a cotton wetted in alcohol.

Protect optical details from scratches during storage and operation.

Use the cover to protect a sight from mechanical and climatic impact.

7 SAFETY

Ensure firm fastening of the sight on a weapon. Adjust the clamp of the bracket as indicated in the part 4, if the sight sways.

8 ACCEPTANCE CERTIFICATE

PO2,5x18_____ sight, serial № _____, is manufactured in accordance with technical documentation and is fit for operation.

Date of issue _____

Signatures _____

JSC «Novosibirsk Instrument – making plant»
179/2, D.Kovaichuk str
630049, Novosibirsk
Russia

For more information visit: www.npzoptics.com or e-mail: sales@npzoptics.ru

NOTES

Прицел ПО2,5х18,
Руководство по эксплуатации на английском языке



www.npzoptics.com