

LEBEDEV ПЛК COMPACT PISTOL
Instruction Manual ИЖ-182 РЭ-01

Contents

Section No.	Section Title	Page
	Introduction	3
1	Description and Operation	4
2	Safe Handling Rules	7
3	Operational Procedure	9
4	Maintenance	10
5	Storage	12
	Appendix A (for reference)	13
	Pistol Operation	17
	Лист регистрации изменений	18

Introduction

WARNING! ANY FIREARM MAY BE **DANGEROUS** TO PEOPLE'S LIFE AND HEALTH IF CARELESSLY HANDLED AND USED. CAREFULLY STUDY AND FOLLOW THE INSTRUCTIONS ON USE OF THE LEBEDEV ПЛК COMPACT PISTOL (HEREINAFTER THE PISTOL) CONTAINED IN SECTIONS OF THIS INSTRUCTION MANUAL (HEREINAFTER IM).

IM is intended for studying the arrangement of the pistol and the rules of its operation.

Since the pistol design is constantly refined to improve its reliability and performance, its specifications are subject to change without special notice in this IM version.

1 Description and Operation

1.1 Intended Use of the Pistol

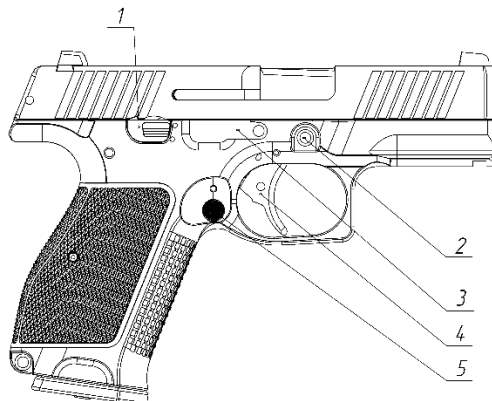
1.1.1 The Lebedev ПЛК Compact Pistol (Fig. 1) is intended for sporting and initial shooting practice at a distance of up to 50 m and at an ambient temperature of minus 30 °C to plus 50 °C. This pistol is chambered for the 9 mm Luger cartridges, which have a certificate of compliance when bearing the mutually recognized mark of the International Permanent Committee on their primary packaging, or for the 9 mm Luger cartridges having the maximum gas pressure developed by cartridges when using the gun, which does not exceed 235 MPa.



Fig. 1 – External Appearance of the Pistol

1.2 Design and Principle of Operation

1.2.1 The Pistol Control Units are shown in Fig. 2; the scheme of the Assembly Units and Parts of the Pistol is shown in Fig. A.1. The List of Assembly Units and Parts of the Pistol is given in the Table A.1 (**Appendix A**).



1 – safety; 2 – barrel lock; 3 – slide stop; 4 – trigger; 5 – magazine catch button.

Fig. 2 – Pistol Control Units

1.2.2 The pistol is easy to handle, comfortable to carry, and always ready to fire.

1.2.3 The Lebedev ПЛК Compact Pistol is a short-recoil operated pistol. The pistol locks by tilting the barrel in a vertical plane by means of the locking lug of the barrel breech sleeve engaged with the front edge of the extraction port. The automatic cycle of the pistol involves extraction and ejection of an empty case after firing a shot, cocking the firing mechanism, and feeding the next cartridge from the magazine into the chamber.

1.2.4 After all cartridges are fired from the magazine, the slide becomes locked by the slide stop and stays in its rear position.

1.2.5 This pistol uses a striker-fired trigger mechanism.

1.2.6 The magazine capacity is 16 cartridges. You can check the number of cartridges visually through the openings in the magazine body.

1.2.7 The bilateral magazine catch allows right-handed or left-handed shooting. The magazine catch provides easy removal of the magazine from the pistol.

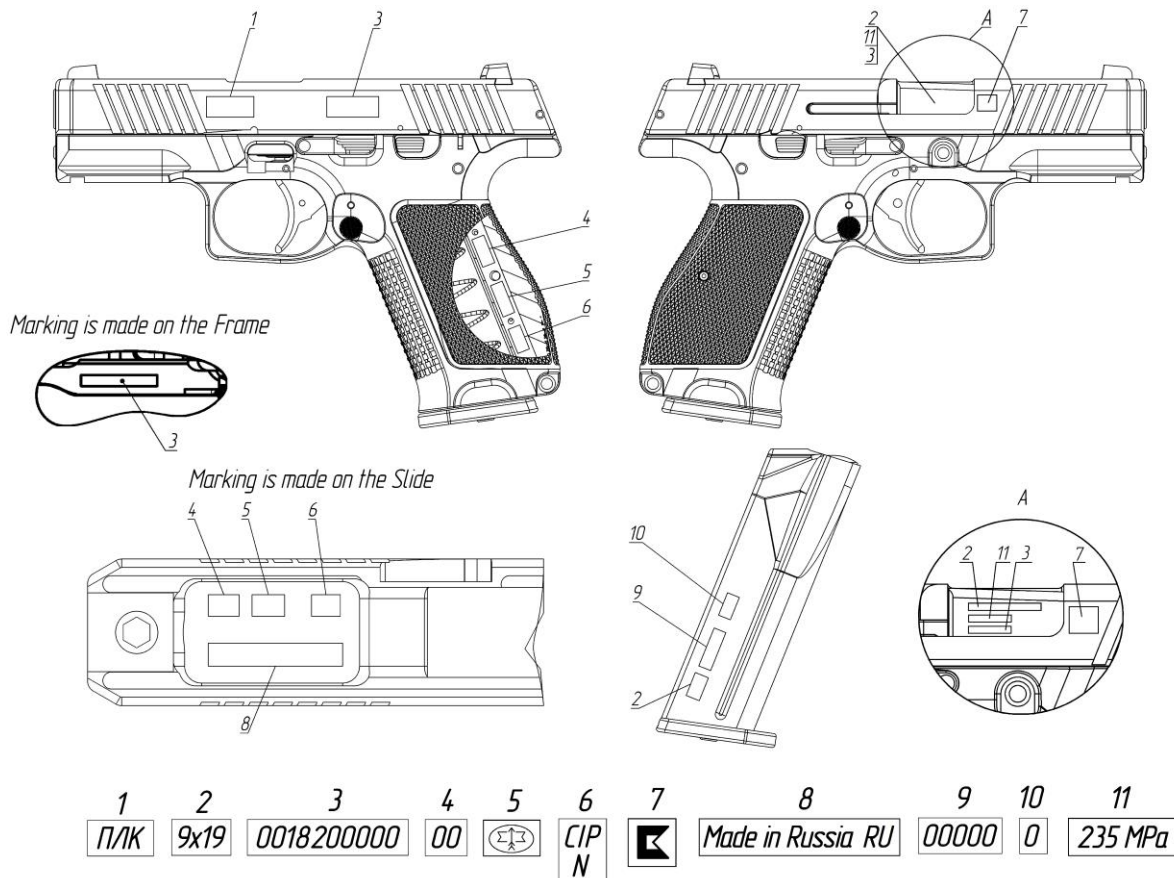
1.2.8 Safe pistol handling is ensured by a two-way thumb piece safety that locks the slide and trigger of the trigger mechanism when the striker is cocked or decocked. Additionally, the pistol is provided with an automatic and inertia striker block, which prevents the striker from accidental release if the pistol is dropped or when the trigger is not pulled completely.

1.2.9 The sighting device provides shooting at a distance of up to 50 m.

1.2.10 The trigger guard shape allows shooting when using two-hand hold.

1.3 Marking

Marking of the pistol is carried out at the spots indicated in Fig. 3.



1. Name of the model.
2. Caliber.
3. Serial number (the first two digits are the year of manufacture, the next three are the product code, the last five digits are the ordinal number of the product).
4. Two last digits of the year of pistol testing.
5. Mark of the State Testing Center for Civil and Service Weapons (the city of Izhevsk).
6. Unified proof mark of the International Permanent Committee.
7. Trademark of the manufacturer.
8. Country of manufacture.
9. Ordinal number.
10. Magazine number.
11. Maximum gas pressure developed by cartridges when using the gun.

Note: Upon request of the customer, additional marking can be applied to the product without special notice in this IM.

Fig. 3 – Pistol Marking

2 Safe Handling Rules

2.1 WARNING! THE MAIN OBJECTIVE OF THE SAFETY MEASURES SET UP IN THIS MANUAL IS TO CALL THE FIREARMS OWNERS TO HANDLE THEM WITH CARE AND REMEMBER THAT THE RESPONSIBILITY FOR THE USE OF A FIREARM LIES WITH THOSE WHO OWN AND USE IT.

2.2 Any firearm, though it has various safety devices, is extremely DANGEROUS TO PEOPLE'S LIFE AND HEALTH if carelessly handled. Observe all safety measures and keep in mind that ignorance of the safety rules may lead to tragic results.

ALWAYS TREAT YOUR PISTOL AS IF IT IS LOADED AND READY TO FIRE.

2.3 ALWAYS store and carry your pistol unloaded.

Before performing any manipulations with your pistol (trigger release, cleaning, or disassembly), you MUST check to make sure the pistol is unloaded.

When receiving a pistol from another person, ALWAYS open it and check to make sure the magazine and chamber are empty. NEVER accept anyone's word that the pistol is "unloaded".

2.4 Store your pistol and ammunition separately and beyond the reach of untrained persons. Make sure that the pistol and ammunition are really beyond the reach of them. When out of a storage place, NEVER leave the pistol unattended.

2.5 Even if the pistol is unloaded, NEVER point it at people. When loading, unloading, maintaining, or cleaning, ALWAYS be sure the barrel is pointed in a safe direction and ALWAYS keep your finger off the trigger. REMEMBER! When attaching a loaded magazine to the pistol, the slide may break from the rearmost position, as a result of which a cartridge is fed into the chamber and the firing mechanism becomes cocked. The pistol will be ready to fire.

When shooting, keep your fingers and other body parts out of the slide retraction area to avoid injury.

NEVER leave the pistol where it could fall and fire.

2.6 NEVER pull the pistol toward yourself by the muzzle end. NEVER put your hand over the muzzle.

2.7 DO NOT alter or modify your pistol. Do not try to change the trigger pull weight, do not remove the safety or any internal safety device as it may cause accidental discharge.

2.8 Before shooting, prepare your pistol as directed in this IM.

2.9 Load the magazine with correct ammunition 9 mm Luger (9×19) cartridges only.

- DO NOT USE MISFIRED OR DEFORMED CARTRIDGES.

- DO NOT FIRE A DAMAGED PISTOL.

DO NOT USE CARTRIDGES, WHICH ARE NOT INTENDED FOR THIS PISTOL AND HAVE ANOTHER CALIBER.

2.10 GUNS AND ALCOHOL OR DRUGS DON'T MIX! DON'T TAKE any alcoholic beverages or drugs before or during shooting activities.

2.11 To disengage the safety, push the thumb piece of the safety lever fully downward. DO NOT FIRE THE PISTOL WITH THE SAFETY SET MIDWAY BETWEEN THE "SAFE" AND "FIRE" POSITIONS.

2.12 WARNING! If your pistol fails to fire when the trigger is pulled, keep it pointed at the target for not less than 60 seconds. Sometimes a slow primer ignition may cause a "hang fire" and the shot will be fired after a short pause. If it still fails to fire, unload the pistol keeping its barrel pointed in a safe direction.

2.13 TO AVOID BULGED OR BURST BARREL, DO NOT PLUG OR COVER THE BARREL BORE. Before shooting, examine the barrel bore to make sure it is not blocked with any foreign objects.

Stop shooting immediately if sound on firing differs from the previous sound. Unload your pistol and examine the barrel and chamber. If any cartridge component parts are jammed inside the barrel or chamber, remove them before resuming shooting.

If a blockage is in the barrel bore, DO NOT attempt to shoot it out by firing another cartridge. This method may lead to a damaged barrel and injury to a shooter.

If the barrel of your pistol is bulged, its mechanisms malfunction, or if it has some more damages, have it examined and repaired by a qualified gunsmith. DO NOT TRY ONE MORE SHOT if your pistol develops the above defects.

2.14 Before inspection, repair procedure, and disassembly, be sure to unload the pistol.

Observe safety measures when assembling and disassembling the pistol, as it contains parts that are under the force of the springs.

NONOBSERVANCE OF THE SAFETY MEASURES MAY RESULT IN SERIOUS PHYSICAL INJURY AND EVEN DEATH!

3 Operational Procedure

WARNING! BEFORE USING A NEW PISTOL, REMOVE FACTORY LUBRICANTS FROM IT AND LUBRICATE IT AGAIN WITH A GUN OIL ACCORDING TO THE INSTRUCTIONS ON CLEANING AND LUBRICATION.

3.1 To load the pistol before shooting, perform the following steps:

- Take the magazine out of the pistol and load it with cartridges.
- Attach the magazine to the pistol.
- Disengage the safety.
- Pull the slide rearward until it stops and release it. The pistol is ready for shooting.

The pistol operates in the single-action mode only.

3.2 After firing the last cartridge from the magazine, the slide will stop in its rearmost position. To remove the magazine, press the magazine catch button on either side. Attach the loaded magazine to the pistol. WARNING! When attaching the magazine to the pistol while hitting it, the slide can be released from the slide stop and a cartridge can be fed into the chamber.

3.3 After shooting, unload the pistol as instructed below:

- Detach the magazine.
- Remove a cartridge from the chamber. To make sure that the chamber and slide are empty, move the slide to the rear and release it.
- Point the barrel in a safe direction and release the striker by pulling the trigger.
- Engage the safety.
- Take the cartridges out of the magazine.
- Attach the empty magazine.

4 Maintenance

4.1 Proper handling and timely maintenance extend the lifetime of the pistol and ensure its trouble-free functioning. Disassemble the pistol completely when it is necessary only.

4.2 To clean and lubricate the pistol:

4.2.1 **Field strip** the pistol (see Fig. A.1) as follows:

- Remove the magazine.
- To make sure the chamber is empty, disengage the safety 29 (turn its thumb piece downward), pull the slide 34 to the rear by hand, inspect the chamber, and release the slide.
- Point the barrel in a safe direction and release the striker by pulling the trigger.
- To turn the barrel lock 19, push it from the right side until it moves out. Then hold the barrel lock with your fingers from the left side and turn it so that its lever is directed downward.
- Remove the slide 34 with the barrel 1 while moving them forward along the rails of the frame.

- To detach the retracting mechanism assembly (parts 51, 56, 55, 52, 53, 54) and barrel 1, grasp the protruding part of the barrel and move the barrel forward until its breech end goes beyond the breeching face and, while rotating it, take it out in an upward direction.

4.2.2 Clean and lubricate the pistol. To clean and lubricate the barrel bore and other pistol mechanisms, use a cleaning rod, rags, and a liquid gun lubricant (or other lubricants intended specifically for these purposes). Apply a gun lubricant on friction surfaces of the slide, frame 2, and barrel. Be sure that the frame rails, slide rails, inner surfaces of the slide and barrel, and pin of the slide stop lever 16 and barrel lock are lubricated properly. Remove carbon deposit from the barrel bore, chamber, seat for cartridge case, and slot located under the extractor 37.

Clean and lubricate your pistol after each use and before storing.

To achieve better results, it is recommended to use cleaning and lubricating substances of the “AK” brand, which are always available in our online store: <https://shop.kalashnikov.com>

WARNING! AFTER CLEANING, THERE MUST NOT BE A POWDER RESIDUE IN THE CHAMBER. INSUFFICIENT CLEANING AND LUBRICATION OF THE CHAMBER CAN RESULT IN MALFUNCTION OF THE AUTOMATIC SYSTEM OF THE PISTOL.

4.2.3 After cleaning and lubricating, **reassemble** the pistol as follows:

- Insert the front part of the barrel 1 into the corresponding holes of the slide 34. Grasp the protruding part of the barrel and move the breech end of the barrel beyond the breeching face.

- Insert the retracting mechanism assembly into the slot of the protruding part of the barrel 1.

- Insert the slide 34 with barrel 1 and retracting mechanism assembly into the rails of the frame.

- Move the slide with barrel rearward to align the breeching face of the slide with the rear face of the frame. Rotate the lever of the barrel lock 19 by 90 degrees, apply pressure, and insert it into the frame 2.

- Engage the safety 13 (turn its thumb piece upward).

- Insert the magazine into the opening in the frame and push it, until the nose of the magazine catch 21 engages the opening. Do not hit the magazine with the palm of your hand or any other object.

5 Storage

The storage period for the pistol kept in the intact factory packaging is 24 months from the date of preservation given by the manufacturer. Upon expiration of the above period, the pistol should be represerved.

The storage period is indicated for air-ventilated storehouses without artificially controlled climate conditions (like stone, concrete, or thermally insulated metal storehouses) where temperature and air humidity vary less than outdoors. Storehouses may be located in any macroclimatic areas including tropical climate regions.

Store the pistol in a dry place with all surfaces of metal parts covered with a thin coat of a gun oil.

Appendix A (for reference)

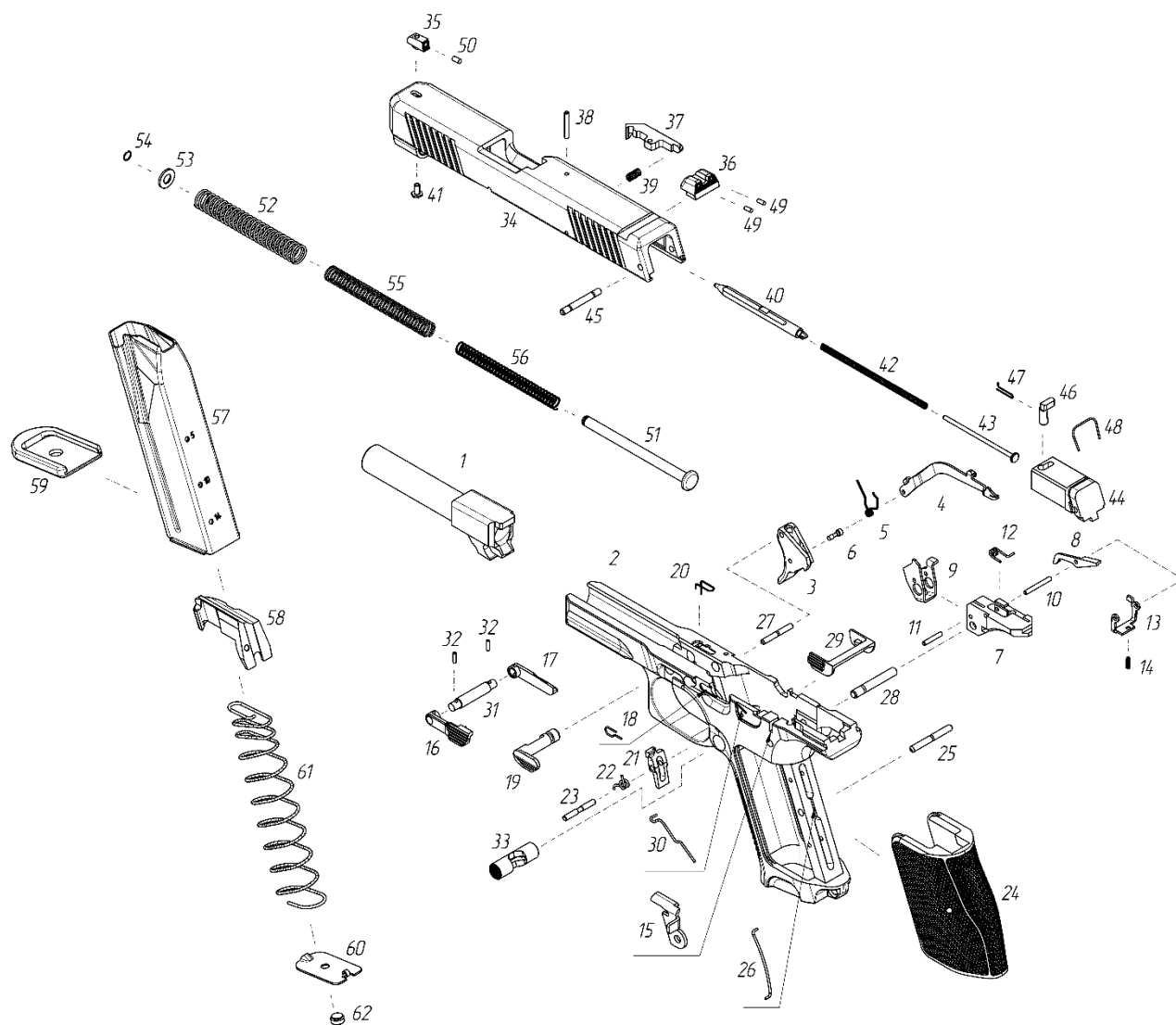


Fig. A.1 – Assembly Units and Parts of the Pistol

Table A.1 – List of Assembly Units and Parts of the Pistol

Part No. in Fig. A.1	Part Name	Qty for One Pistol
1	2	3
1	Barrel	1
2	Frame	1
3	Trigger	1
4	Trigger Bar	1
5	Trigger Bar Spring	1
6	Trigger Bar Pin	1
7	Frame Insert	1
8	Sear	1
9	Lever	1
10	Sear Pin	1
11	Lever Pin	1
12	Sear Spring	1
13	Inertia Safety Device	1
14	Safety Spring	1
15	Ejector	1
16	Slide Stop	1
17	Slide Stop Lever	1
18	Slide Stop Spring	1
19	Barrel Lock	1
20	Barrel Lock Spring	1
21	Magazine Catch	1

Table A.1 (continued)

1	2	3
22	Magazine Catch Spring	1
23	Magazine Catch Pin	1
24	Strap	1
25	Strap Pin	1
26	Strap Pin Spring	1
27	Trigger Pin	1
28	Frame Insert Pin	1
29	Safety	1
30	Safety Retainer Spring	1
31	Slide Stop Pin	1
32	Pin 3.1,5u8x6	2
33	Magazine Catch Button, assembled	1
34	Slide	1
35	Front Sight	1
36	Rear Sight	1
37	Extractor	1
38	Extractor Pin	1
39	Extractor Spring	1
40	Striker	1
41	Front Sight Screw	1
42	Mainspring	1
43	Mainspring Guide	1

Table A.1 (continued)

1	2	3
44	Slide Insert	1
45	Pin	1
46	Striker Interceptor	1
47	Striker Interceptor Spring	1
48	Pin Holder	1
49	Insert	2
50	Insert	1
51	Recoil Spring Guide	1
52	Recoil Spring	1
53	Support	1
54	Retaining Ring	1
55	Recoil Spring	1
56	Recoil Spring	1
57	Magazine Body	1
58	Follower	1
59	Magazine Cover	1
60	Magazine Cover Holder	1
61	Follower Spring	1
62	Rivet	1

Pistol Operation

Date	Duration (Number of Shots)	Operating Time since the Beginning of Operation	Shooter's Signature

Лист регистрации изменений

№ Изм.	Номера листов (страниц)				Всего листов (страниц) в докум.	№ докум.	Входящий № сопроводительного докум. и дата	Подпись	Дата
	измененных	замененных	новых	аннулированных					
1		все			18	УК.66698-21		Назарова	11.08.21
2		6, 7, 8, 9			—	УК.66736-21		Назарова	31.08.21